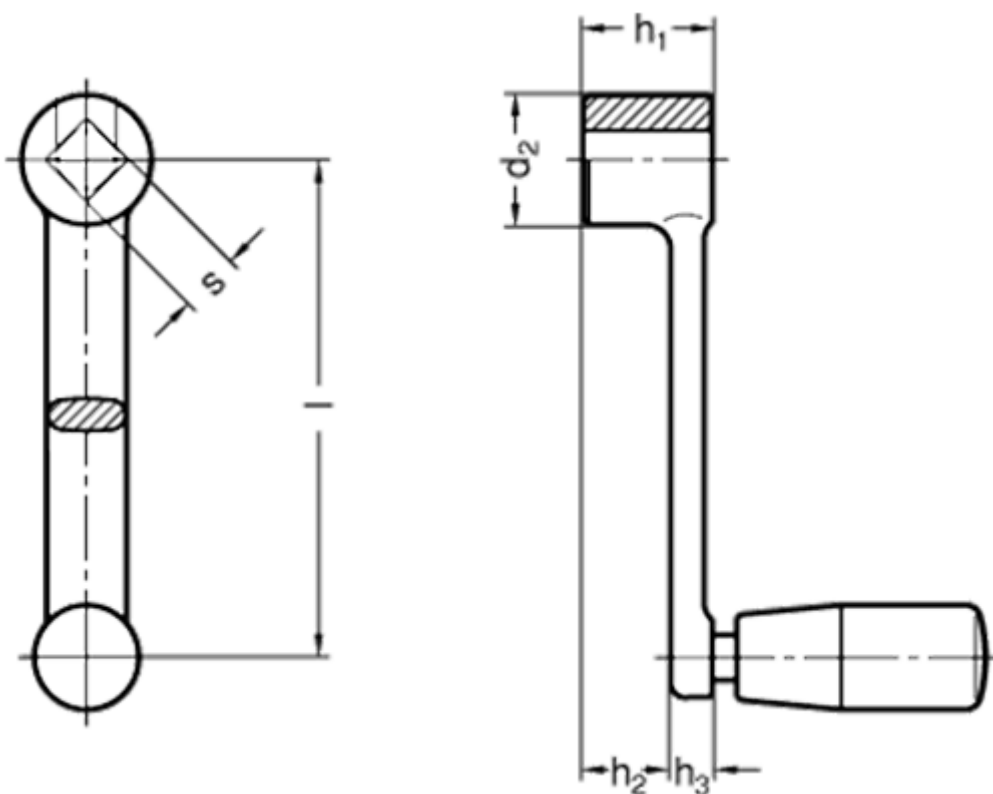


Data Sheet



Article number: 201568281
Description: E+G Crank handle
GN 269-100-V12

Measures



d_2	= 26
h_1	= 26
h_2	= 17.7
h_3	= 8
Handle	= 21
l	= 100
s	= 12